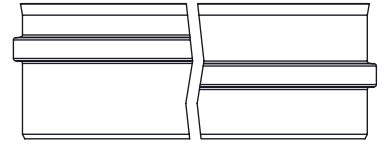


Possible type of female part "FU"



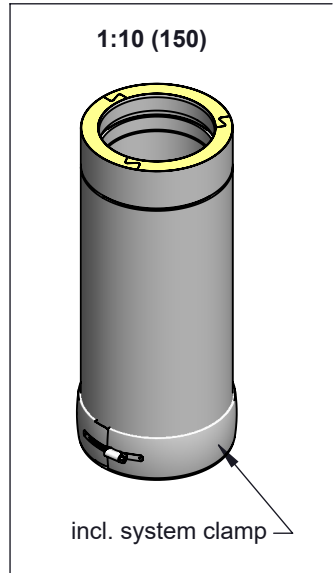
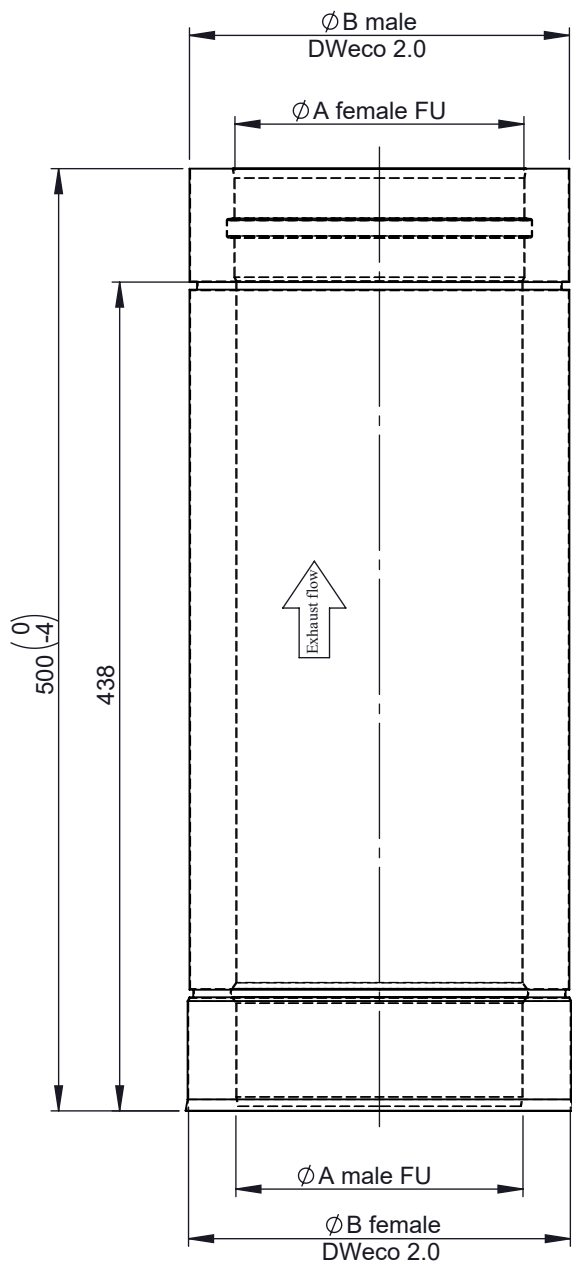
A

B

C

D

E



\varnothing	80	100	115	120	130	150	160	180	200	225	250	300	350	400	450	500	550	600
A	80	100	115	120	130	150	160	180	200	225	250	300	350	400	450	500	550	600
B	130	150	165	170	180	200	210	230	250	275	300	350	400	450	500	550	600	650
kg	1,9	2,3	2,5	2,6	2,8	3,2	3,3	3,7	4	4,5	4,9	5,8	6,7	8,6	9,6	10,6	11,7	12,7

notes:
ENCD

DIN ISO 13920 Tolerances B	
revisions-no.	mm / kg
date	name
drawn by	12.12.20 JMA
checked by	12.12.20 SWA
approved by	12.12.20 JWY
modified by	

Jeremias[®]
CHIMNEY SYSTEMS

description: Straight pipe element 500 mm

code: **215-DWECO 14**

drawing-no.: **02-35-4300-205**

scale: 1:6
format: A4
sheet: 1 of 1