

A

B

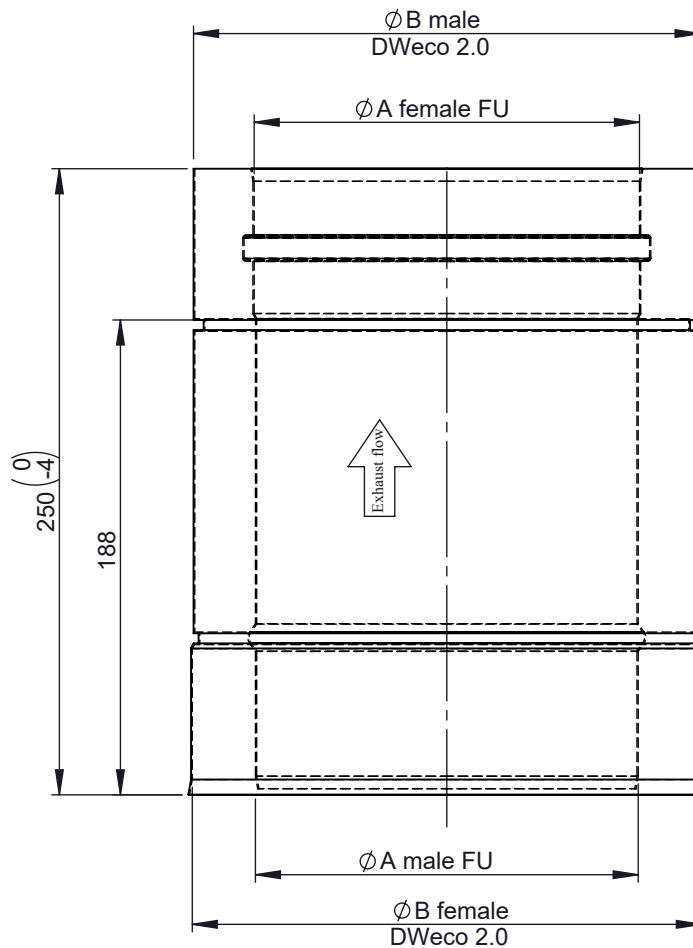
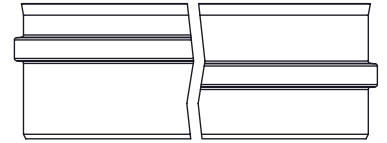
C

D

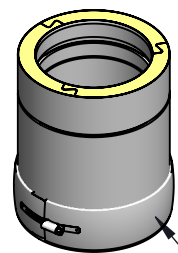
E

F

Possible type of female part "FU"



1:10 (150)



incl. system clamp

| \varnothing | 80 | 100 | 115 | 120 | 130 | 150 | 160 | 180 | 200 | 225 | 250 | 300 | 350 | 400 | 450 | 500 | 550 | 600 |
|---------------|-----|-----|-----|-----|-----|-----|-----|-----|-----|-----|-----|-----|-----|-----|-----|-----|-----|-----|
| A | 80 | 100 | 115 | 120 | 130 | 150 | 160 | 180 | 200 | 225 | 250 | 300 | 350 | 400 | 450 | 500 | 550 | 600 |
| B | 130 | 150 | 165 | 170 | 180 | 200 | 210 | 230 | 250 | 275 | 300 | 350 | 400 | 450 | 500 | 550 | 600 | 650 |
| kg | 1 | 1,2 | 1,3 | 1,4 | 1,5 | 1,6 | 1,7 | 1,9 | 2,1 | 2,3 | 2,6 | 3 | 3,5 | 4,5 | 5 | 5,5 | 6 | 6,6 |

notes:

ENCD

DIN ISO 13920 Tolerances B

revisions-no.

mm / kg

Jeremias[®]
CHIMNEY SYSTEMS

scale

1:6

format

A4

sheet

1 of 1

description Straight pipe element 250 mm

code 215-DWECO 15

drawing-no. 02-35-4200-205

