

A

B

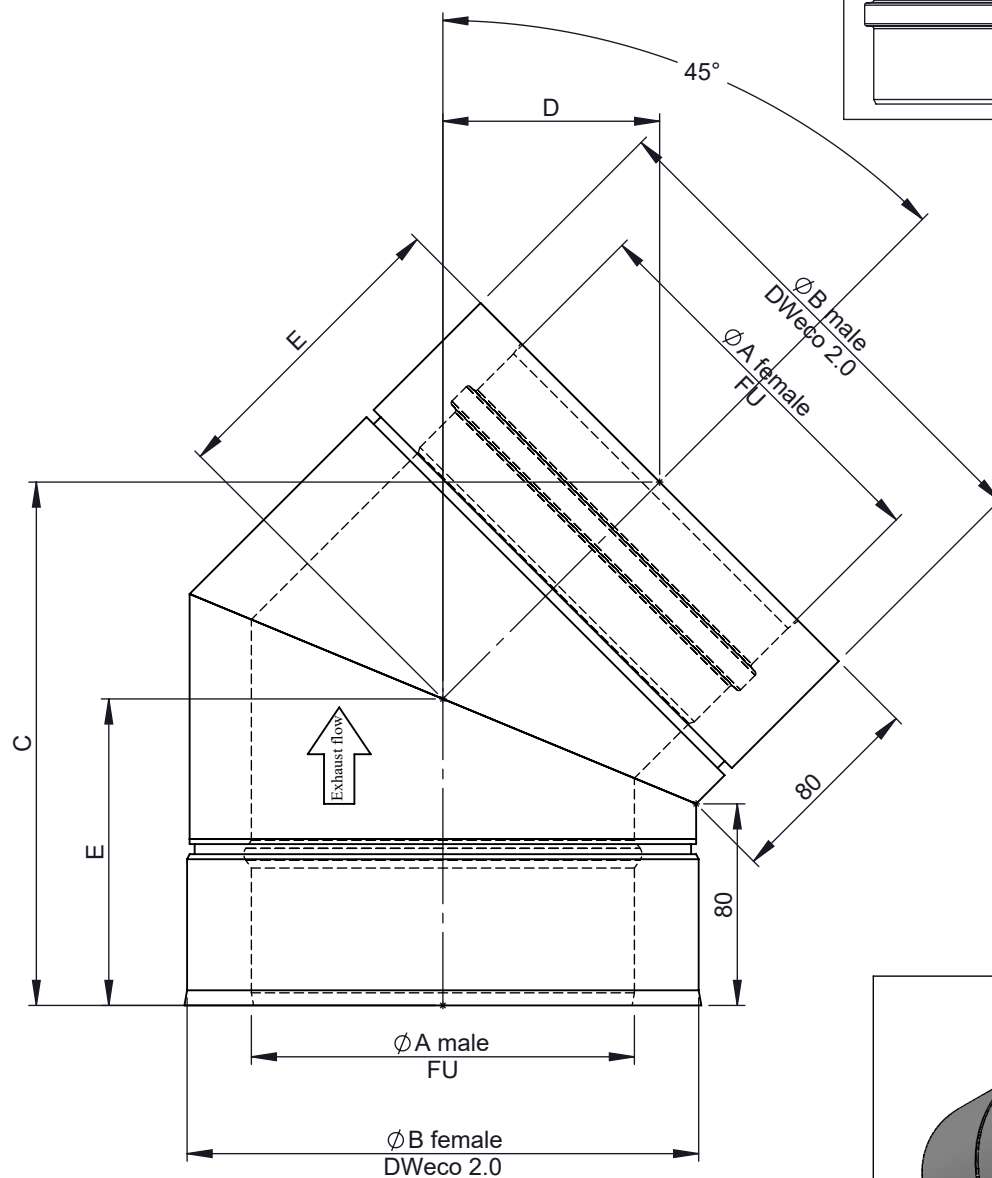
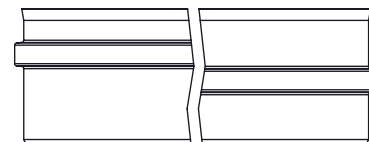
C

D

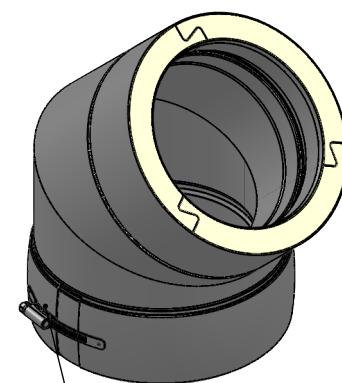
E

F

Possible type of female part "FU"



1:6 (150)



incl. System Clamp

Ø	80	100	115	120	130	140	150	160	180	200	225	250	300	350	400	450	500	550	600
A	80	100	115	120	130	140	150	160	180	200	225	250	300	350	400	450	500	550	600
B	130	150	165	170	180	190	200	210	230	250	275	300	350	400	450	500	550	600	650
C	142	149	154	156	160	163	167	170	177	184	193	202	220	237	255	273	290	308	326
D	35	38	40	41	42	44	45	46	49	52	56	60	67	74	82	89	96	104	111
E	107	111	114	115	118	120	122	124	128	132	137	142	153	163	173	184	194	204	215
kg	1,11	1,37	1,54	1,61	1,75	1,88	2,02	2,16	2,46	2,77	3,18	3,61	4,54	5,57	6,68	7,87	9,16	10,54	12,0

notes:

ENCD

DIN ISO 13920 Tolerances B

revisions-no.

A1

mm / kg

date

name

drawn by

25.10.19

JMA

checked by

25.10.19

SWA

approved by

25.10.19

JWY

modified by

CHIMNEY SYSTEMS

description Elbow 45°

code 215-DWECO18

drawing-no. 01-02-35-6100-000

scale

1:4

format

A4

sheet

1 of 1

