

A

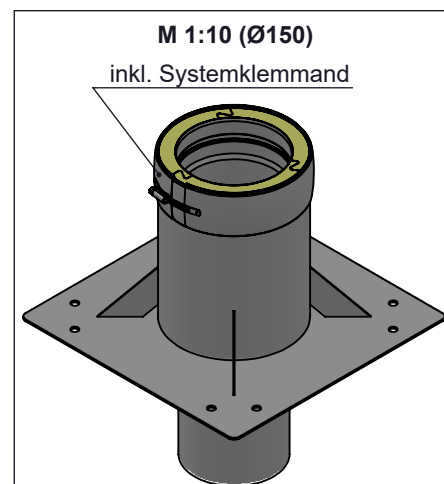
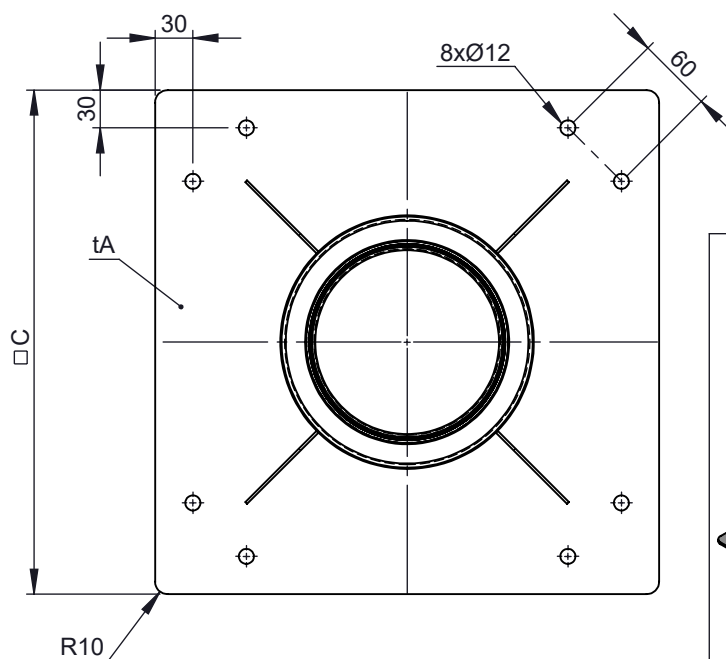
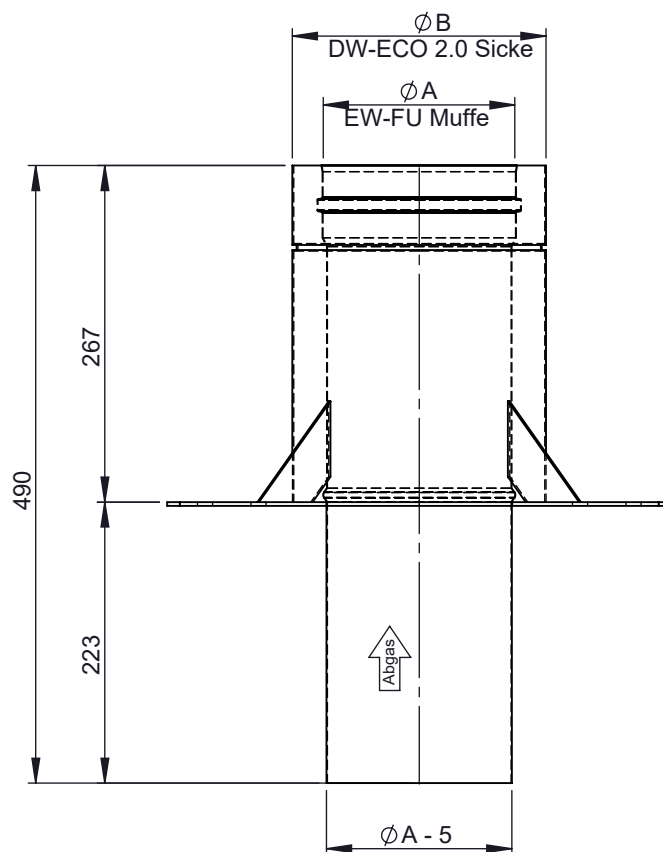
B

C

D

E

F

Ausführungsvarianten  
für Muffe Innenrohr

| $\phi$ | 80  | 100 | 115 | 120 | 130 | 150 | 160 | 180 | 200 | 225 | 250 | 300  | 350  | 400  | 450 | 500  | 550  | 600  |  |
|--------|-----|-----|-----|-----|-----|-----|-----|-----|-----|-----|-----|------|------|------|-----|------|------|------|--|
| A      | 80  | 100 | 115 | 120 | 130 | 150 | 160 | 180 | 200 | 225 | 250 | 300  | 350  | 400  | 450 | 500  | 550  | 600  |  |
| B      | 130 | 150 | 165 | 170 | 180 | 200 | 210 | 230 | 250 | 275 | 300 | 350  | 400  | 450  | 500 | 550  | 600  | 650  |  |
| C      | 400 |     |     |     |     |     |     |     |     |     |     | 450  | 500  | 550  | 600 | 650  | 700  | 750  |  |
| tA     | 3   |     |     |     |     |     |     |     | 4   |     |     |      |      |      |     |      |      |      |  |
| kg     | 5,7 | 6   | 6,2 | 6,3 | 6,4 | 6,7 | 6,8 | 7   | 8,3 | 8,4 | 8,6 | 10,2 | 11,8 | 13,4 | 15  | 16,8 | 18,5 | 20,2 |  |

notes:

DIN ISO 13920 Tolerances B

revisions-no.

A1

mm / kg

date

04.03.2021

name

KSA

drawn by

checked by

approved by

modified by

  
 Jeremias<sup>®</sup>  
 CHIMNEY SYSTEMS
description  
Grundplatte für Kaminerrhöhung mit  
Knotenblechen, rundem Einschub ew  
L=220mm, inkl. Systemklemmbandcode  
215-DWECO08-2drawing-no.  
01-02-35-1046-215

scale

1:6

format

A4

sheet

1 of 1

